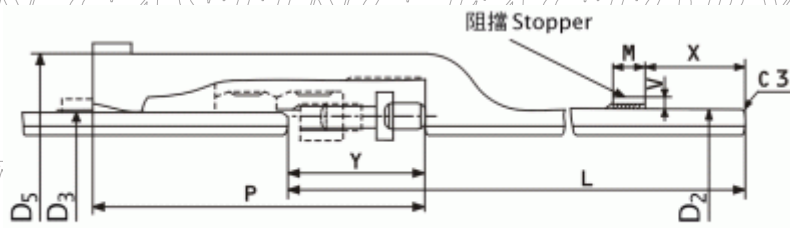
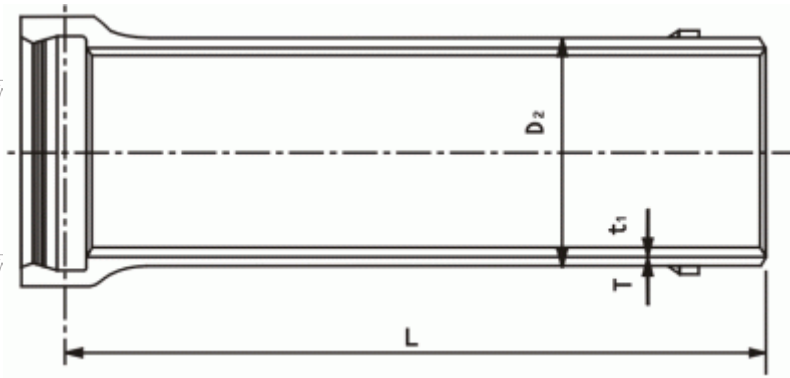




●Type U Socket and Spigot Pipe



■ 接合部詳細圖 Detail drawing

Unit: mm

Nom. size	Thickness								Lining Thickness	O.D.	Dimensions								Effective Length	Weight (kg)																	
	T										t ₁	D ₂	D ₃	D ₅	P	Y	M	V		X	L	Bell	Stopper	Total Weight													
D	D1	D1.5	D2	D2.5	D3	D3.5	D4	D4.5																													
700	12.0	-	11.0	-	10.0	-	9.0	-	8	733	738	831	265	105	25	16	160	6000	161	0.942	1310	-	1210	-	1120	-	1020	-	249								
800	13.5	-	12.0	-	11.0	-	10.0	-	8	836	841	938	265	105	25	16	160	6000	197	0.942	1670	-	1510	-	1400	-	1290	-	285								
900	15.0	-	13.0	-	12.0	-	11.0	-	8	939	944	1043	265	105	25	16	160	6000	231	0.942	2070	-	1830	-	1700	-	1580	-	320								
1000	16.5	-	14.5	-	13.0	-	12.0	-	10	1041	1047	1151	270	105	25	16	165	6000	276	0.942	2520	-	2250	-	2050	-	1910	-	444								
1100	18.0	-	15.5	-	14.0	-	13.0	-	10	1144	1150	1258	270	105	25	16	165	6000	324	0.942	3010	-	2640	-	2420	-	2270	-	488								
1200	19.5	-	17.0	-	15.0	-	13.5	-	10	1246	1252	1362	270	105	25	16	165	6000	365	0.942	3530	-	3130	-	2810	-	2570	-	532								
1350	21.5	-	18.5	-	16.5	-	15.0	-	12	1400	1406	1521	280	105	25	16	175	6000	451	0.942	4380	-	3840	-	3470	-	3200	-	717								
1500	23.5	-	20.5	-	18.0	-	16.5	-	12	1554	1560	1679	285	105	25	16	180	6000	541	0.942	5300	-	4700	-	4200	-	3900	-	797								
1600	25.0	23.5	22.0	20.5	19.0	18.0	17.5	16.0	15	1650	1656	1786	295	115	25	16	180	5000	640	0.942	5100	4840	4570	4310	4040	3860	3780	3510	876								
																		6000			6010	5690	5380	5060	4740	4520	4420	4100	1055								
1650	25.5	24.0	22.5	21.0	19.5	18.5	18.0	16.5	15	1701	1707	1839	295	115	25	16	180	5000	678	0.942	5370	5100	4820	4550	4280	4090	4000	3730	903								
																		6000			6330	6000	5670	5340	5010	4790	4680	4350	1088								
1800	28.0	26.0	24.0	22.5	21.0	20.0	19.5	18.0	15	1848	1854	1990	295	115	25	16	180	5000	779	0.942	6370	5980	5580	5290	4990	4790	4690	4390	982								
																		6000			7520	7040	6570	6210	5850	5610	5490	5130	1183								
2000	30.5	28.5	26.5	25.0	23.5	22.0	21.0	19.5	15	2061	2067	2209	300	115	25	16	185	5000	951	0.942	7750	7310	6870	6540	6210	5870	5650	5320	1100								
																		6000			9140	8610	8080	7680	7280	6880	6620	6210	1321								
2100	32.0	30.0	28.0	26.0	24.5	23.0	22.0	20.5	15	2164	2170	2314	305	115	25	16	190	5000	1038	0.942	8530	8060	7600	7140	6790	6440	6210	5860	1150								
																		6000			10060	9500	8950	8390	7970	7550	7270	6850	1388								
2200	33.5	31.0	29.0	27.0	25.5	24.0	23.0	21.5	15	2280	2286	2433	310	115	25	16	195	5000	1141	0.942	9400	8790	8300	7820	7450	7080	6840	6470	1210								
																		6000			11090	10360	9770	9180	8740	8300	8000	7560	1463								
2400	36.5	34.0	31.5	29.5	27.5	26.0	25.0	23.0	15	2458	2464	2617	320	115	25	16	205	4000	1331	0.942	9050	8520	8000	7580	7160	6850	6640	6200	1040								
																		5000			11030	10380	9720	9190	8670	8270	8010	7480	1309								
																		6000			13020	12230	11440	10800	10170	9690	9370	8740	1577								
2600	39.5	36.5	34.0	31.5	29.5	28.0	27.0	25.0	15	2684	2690	2865	395	130	32	19	265	4000	1920	2.410	11010	10320	9760	9190	8730	8390	8160	7700	1130								
																		5000			13350	12490	11780	11060	10490	10060	9770	9190	1427								
																		6000			15700	14660	13800	12940	12250	11730	11380	10690	1719								

◎Note : 1. The weights of the bells is rounded off to effective figures, therefore the total sums of the above values are not always equal to the total weights.

2. The shape of the bells shall be in accordance with the shape of the dotted line.